

Lorawan-Based Satellite Monitoring System Uses IMU Sensor

By

D.Narendar Singh

Asst.Prof, ECE Department, Anurag University

P. Ramakrishna

Asst.Prof, ECE Department, Anurag University

J. Nikhileshwar

B. Tech, ECE Department, Anurag University

G. Akshaya

B. Tech, ECE Department, Anurag University

K. Karthik

B. Tech, ECE Department, Anurag University

K. Vinitha Lakshmi

B. Tech, ECE Department, Anurag University

Abstract

Linear accelerations may be detected using sensors. Gyroscopes, geomagnetic sensors, and other sensors with numerous degrees of freedom will be the primary emphasis of this article rather than accelerometers. As the number of Internet-of-of-things (IoT) devices grows, next-generation communication systems are aiming for high spectral and energy efficiency, low latency, and massive connection. They will make it possible to use connected drones and robots to monitor and regulate traffic and the environment in real time, use virtual reality (VR)/virtual navigation, provide telemedicine, and transmit high definition (HD) and full HD footage. The Internet of Things (IoT) business will benefit from new satellite-based connection services thanks to LoRaWAN network technology. Expected pricing ranges for new LoRa satellite services would open up a wider range of applications in the maritime industry, agricultural, logistics, asset monitoring, transportation and utility industries.

1. Introduction

These gyroscopes can measure angular rates around one or more axes. Accelerometers and gyroscopes can measure and record 3D movements. This lets designers create more realistic user experiences, accurate navigation systems, and more.

Consider a single-axis yaw gyroscope. The blue arrows show opposing moving masses. Once an external angular rate is applied, a Coriolis force, illustrated by the orange arrows, arises orthogonal to the movement. This force will cause a proportional movement of the sensing masses. The gyroscope's input angular rate is translated into an electrical characteristic measurable by a particular circuit since the sensor's moving electrodes (rotors) are close to stationary electrodes (stators). The displacement will modify the stators' and rotors' electrical capacitance.

ST makes micromechanical gyroscope sensors using the same method as its 600 million accelerometers. This solution assures that clients get cutting-edge, reliable products for immediate usage. ST's differential tuning fork approach is immune to spurious vibrations and undesired linear accelerations. When unwanted impulses are sent to the gyroscope, both masses move in the same direction, resulting in zero differential capacitance variation.

A gyroscope's conditioning circuit combines an accelerometer's sensor circuitry with a motor's drive section.

- The sensing circuitry measures the displacement of the sensing mass produced by Coriolis force by measuring capacitance, a robust and reliable technique used across ST's MEMS product lines.
- The driving section excites the mechanical element, causing it to oscillate back and forth through electrostatic actuation. Sensor circuitry generates an analogue or digital signal proportional to angular rate.
- Advanced power-down capabilities in the control circuit allow a sensor's complete shutdown when no longer needed. Alternately, the sensor may go into a low-power sleep mode where the gyroscope consumes less power overall than in standard mode, but it can still wake up immediately to detect applied angular rates.
- Mechanical sensor and conditioning ASIC are packaged together, as ST's MEMS accelerometers. This building approach is known as a system-in-package (SIP) (SIP). Thanks to creative design and packaging, this range of devices is much smaller. Multiple-axis MEMS gyroscopes from ST come in packages as small as 3 x 5 mm and as thin as 1 mm, while preserving sensor stability and great performance during the product's life cycle.

Magnetic sensor sales in consumer electronics and mobile phones increased more than 10-fold in 2009. This market rose from 8 million units in 2008 to over 540 million units in 2013. iSuppli predicts a CAGR of 128%. AMR (anisotropic magneto-resistive) sensor technology is gaining prominence. It combines outstanding spatial resolution and accuracy with minimal power consumption. This sensor uses how a ferrous strip's resistance changes when a magnetic field is applied perpendicular to the current. The Wheatstone bridge-shaped transducer is built of magneto resistors with the same resting resistance, R . During the measurement, a bridge voltage, V_b , forces a current through the resistors. When H is supplied, two opposing resistors' magnetization vectors spin toward the current, increasing their resistance. The magnetization vector rotates away from the remaining two resistors' current, decreasing their resistance. Sensor output is linearly proportional to applied field.

Magnetometers are becoming increasingly interesting when coupled with accelerometers to produce tilt compensated compasses. Mobile phones are the most prevalent sensor application. Microelectronics LSM303DLH is a six-dimensional module (6 DOF). This compact LGA gadget combines a high-performance three-axis accelerometer and magnetometer. The magnetic sensor component contains auxiliary current straps to offset magnetic fields and electrically change or reset output polarity.

2. Methodology

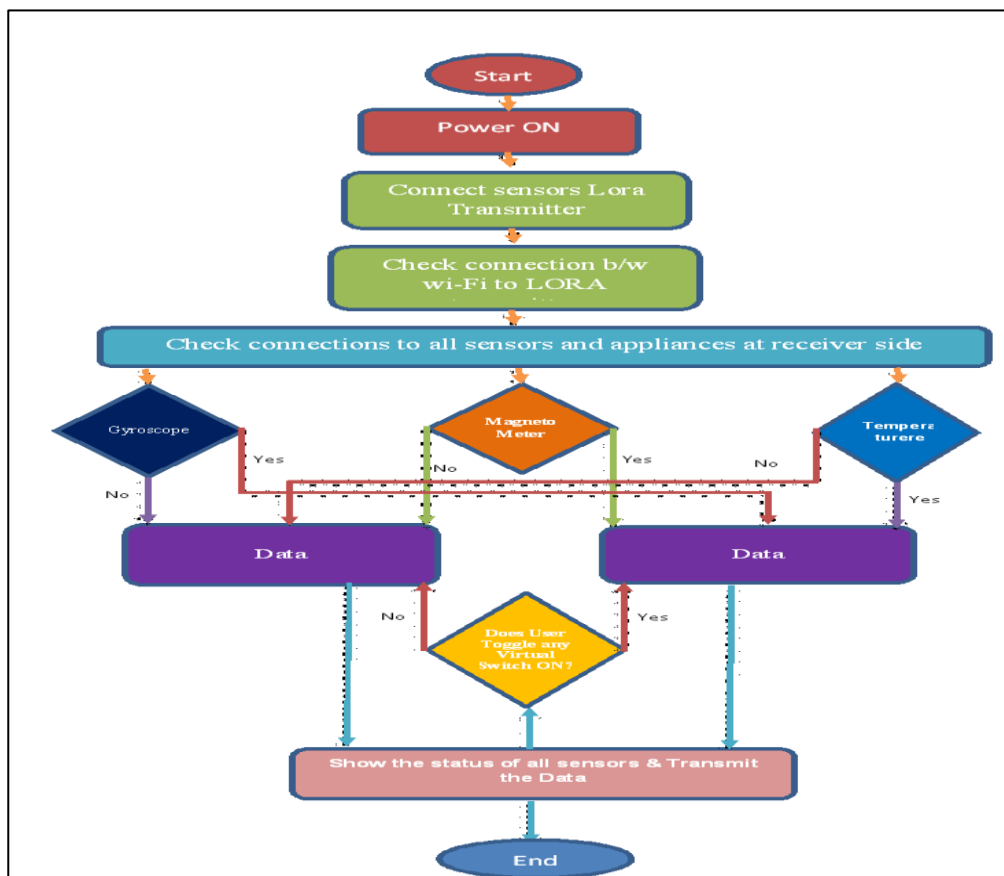


Fig .1 Flow chart for LoRaWAN based Communication system with Sensors

Sensor fusion software layers combine accelerometer, gyroscope, and magnetometer data to enhance location-based services, pedestrian dead reckoning, and motion-controlled games. "Sensor fusion" algorithms integrate data from several sensors to increase system-level accuracy, resolution, stability, and response time. Developers may now design dependable GPS systems that can navigate even in urban canyons with weak or no satellite connections (indoors or in a subway). In the near future, customers will be able to access location-based services by combining GPS position data with supplementary metadata given by service providers and shown on their mobile phones. Customers may learn about the businesses in a mall, get driving directions to where they can get the things they want, and hear about unique deals and discounts. The Dutch Android mobile augmented-reality browser layer is one example. Open software platforms have grown more accessible, enabling developers to access advanced sensing capabilities. This has motivated developers to collaborate on apps that meet their demands and boost the value of electronics. MEMS accelerometers, gyroscopes, and geomagnetic sensors are also utilised in low-cost toys, allowing even the youngest users to play online games and be online. Soon, youngsters will be able to construct virtual dolls and characters, play with them using their natural actions, and share their gaming activity with internet pals in the same virtual worlds.

Small, reliable, and inexpensive MEMS gyroscopes and magnetometers, together with specialised software for sensor fusion, provide enhanced motion tracking and a more immersive user experience in consumer devices. These are Microelectronics' sensors.

ST incorporated MEMS pressure sensors and microphones. MEMS microphones are directional, noise-cancelling, and fidelity-enhancing for mobile phones and other devices. ST's micromachined pressure sensors can measure ambient pressure and/or position consumer electronics in 3D.

3. Block Diagram

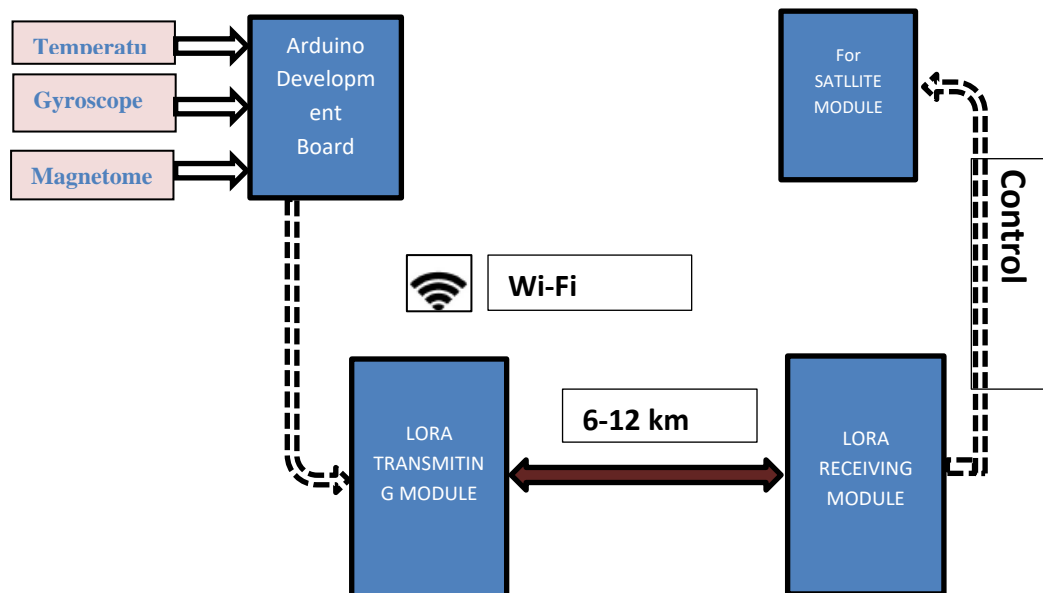


Fig.2 Block diagram of LoRaWAN based Communication system with Sensors

Over the last decade, precise technologies for confinement animal agriculture systems have expanded quickly, while options for pastured cattle remain restricted. Reasons for the restricted spread of technology for pastured animals include networking availability and dependability, power needs, and cost. This effort aimed to show a fast deployable, low-cost LoRa-based sensor set for tracking pastured animals. The sensor includes an Arduino-compatible CPU, a generic MPU-9250 motion sensor with a 3-axis accelerometer, 3-axis magnetometer, and 3-axis gyroscope, a generic GPS receiver, and an RFM95W generic LoRa radio. Using free source Arduino IDE software, the microprocessor's sampling frequency, data packet, and operating conditions may be adjusted. LoRa radio broadcasts to a Dragino LoRa gateway, which may be configured using Arduino IDE to deliver data to local storage or, if a web or cellular connection is available, to cloud storage. The sensor was powered by a 3,350 mAh lithium-ion battery. Dragino gateway was developed to upload data to ThingSpeak IoT API for storage, management, and display. Evaluations found no advantage in lowering sample frequency to save battery life. Loss was 40% to 60%. In a 3D assessment on pastured sheep, the sensor suite reported GPS, inertial, and temperature. Preliminary examples of our technique identify animal position using GPS data in real-time. This method may be used to provide flexible, precise solutions for pasture-based cattle at a reduced cost.

3.1 MEMS gyroscopes

Vibrating mechanical parts detect rotation. They're made using silicon or piezoelectric micromachining. In these gyroscopes, a resonant main stimulated mode contributes to a secondary resonant mode that measures rotation. Vibrating gyros all work the same way to represent gyros using a mass-spring system. Operating concept of a mass-spring MEMS

gyroscope Particle A symbolises the elementary sensing unit, while the spring represents particle support elasticity [1]. The particle has two degrees of freedom, x' along the x -axis and y' along the y -axis. Angular rate describes a rotation of the reference plane xy around an orthogonal z -axis. To measure it, a particle's x -axis must vibrate with constant amplitude. This oscillation is the gyroscope's driving mode. A feedback control mechanism stimulates the particle at its resonance frequency while maintaining amplitude. 14 When the gyroscope rotates, the particle feels a Coriolis force, F_c , whose magnitude is proportional to the applied rotation rate W and whose direction is perpendicular to the main motion direction. Coriolis force induces particle vibration along the y -axis, gyroscope's secondary motion or sensing mode.

$$F=2mv \times c \dot{U} - \quad (1)$$

An amplitude measurement estimates the reference frame's angular velocity. Coriolis acceleration is proportional to primary motion, hence drive oscillation amplitude and frequency must be high. The amplitude is controlled by an automated gain control loop, while the frequency is maintained by a phase locked loop. A closed-loop control of the secondary motion can measure the frame's angular rate. The measurement is utilised to create a control force that can cancel y -axis motion; the control force magnitude indicates rotation rate.

3.2 *LoraWAN*

Recently, the LoRa Alliance, which is responsible for the development, maintenance, and promotion of the LoRaWAN protocol for low power wide area networks (LPWANs), has upgraded the LoRaWAN protocol to accommodate Long Range – Frequency Hopping Spread Spectrum (LR-FHSS) data rates [3].

LR-FHSS is an extension of the LoRaWAN protocol's support that enables direct data links between end nodes and satellites. It does this by utilising either the unlicensed band known as the Industrial, Scientific, and Medical (ISM) band or, in the case of EchoStar Mobile, by using licenced spectrum, which offers a more differentiated service than the ISM band does. LR-FHSS is capable of supporting millions of end nodes and brings a new degree of resilience to Internet of Things services.

Using GEO satellites for Internet of Things applications presents two special challenges: the 36,000-kilometer distance between transmitters and satellites, and the propensity of satellites in orbit to utilise the same frequencies [5,6]. It is because of this that ground-based antennas must have a high degree of amplifying power, as well as adequate directing capabilities, to minimise interference with surrounding satellites and equipment. IoT sensor nodes were connected to a GEO satellite using portable transmission terminals equipped with omnidirectional C-band antennas built by Fraunhofer IIS for the demonstration of the transmission concept. The technique presented might be used to make this link. Optimized for low data rates and tested to work effectively even when transmit power is extremely low, a waveform has been developed. It is now possible to broadcast the waveform at a level below the minimum level necessary for C-band communications, since the amount of transmit power has been reduced. To avoid interference with other satellite systems, omnidirectional antennas are a viable option since they don't need to be aligned. Small transmitter and receiver terminals that are both inexpensive and long-lasting are the main advantages of the approach. That's the system's main benefit. Using satellite to link the Internet of Things is the best option when just a little amount of data has to be transferred but there is no mobile or terrestrial IoT network infrastructure as shown in Fig. 3. Blue force actions might be monitored by satellite IoT in the future, according to the experiment that

utilised GPS data from individual sensors. Temperature and humidity monitoring in agriculture and oil and gas infrastructure may also be used for preventive maintenance and detecting early signs of leakage, respectively[10]. Internet of Things (IoT) data transmission may become practical in the future, and this won't need expanding satellite capacity, as is now required [5]. This suggests that applications for the Internet of Things on a global scale may benefit from the current satellite infrastructure.

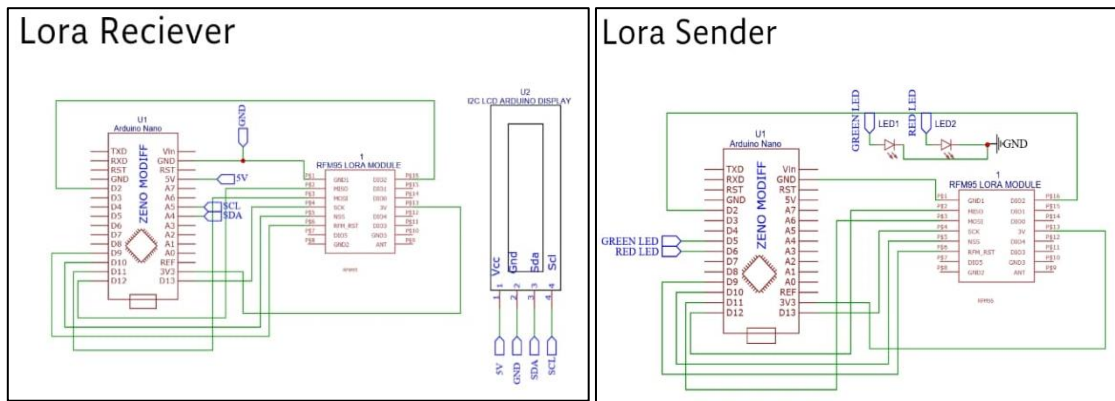


Fig. 3 LORA Transmitter and Receiver

It is believed that barely 10% of the earth's surface is connected to the rest of the globe through terrestrial means. "LoRa devices integrated with LR-FHSS allow satellites to connect Internet of Things devices in the vast remote areas around the globe to enable Internet of Things solutions with an unmatched continuum of coverage and performance," explained Marc Pegulu, VP of IoT product marketing and strategy for Wireless and Sensing Products Group. "This enables Internet of Things solutions with an unmatched continuum of coverage and performance [6],". Customers that want worldwide coverage from land to sea to air will benefit from the complementing satellite and terrestrial LoRaWAN network connection services that are projected to be achieved as a result of our collaboration with EchoStar Mobile and members of the LoRa Alliance [8]. The sensors used in satellites are specific based on the applications they are used for. However there are some generic sensors that are common for all the man-made satellites.

- Attitude sensors (to determine its position and directivity since only stars could be used as fixed points)
- Star tracker sensors (to detect the orientation of the craft)
- Temperature sensor (as the temperature highly fluctuates during the time of facing the sun and while on the shadow of earth this temp sensors are one of the must have sensors)

Nano-satellite technology excels in astronautics because to its small weight, fast development cycle, cheap development cost, high functional density, and adjustable emission properties. A Nano- altitude satellite's sensor influences its performance and payloads. The attitude sensor may offer feedback to the satellite's attitude control system. Payloads may also utilise it. Star sensor, sun sensor, magnetometer, gyroscope, etc. are currently used in deployed satellites for attitude determination, however they can't match Nano-satellite criteria. Short-term gyroscope accuracy is greater and can output continuous attitude data. Long-term gyroscope drift accumulates errors. Angular-measurement sensors like the star sensor, sun sensor, and magnetometer don't accumulate errors, but they can't produce attitude

data and update slowly. To increase Nano-satellite attitude determination accuracy, a sensor integrating angle and angular velocity sensors was constructed. Angle sensors and angular velocity sensors might offset each other's benefits. Gyroscope, sun sensor, and magnetometer are included. The extended Kalman filter included gyroscope, magnetometer, and sun sensor data.

3.4 Gyroscope

In order to establish an integrated attitude determination model, the principle and mathematical model of the gyroscope, sun sensor and magnetometer is proposed in this part. Where is the real angular velocity of satellite relative to inertial space, b is gyroscope drift and is g_{white} white noise.

3.5 Magnetometer

where B_b is the true value of magnetic field in the satellite coordinate system, while v is the measurement error of magnetometer.

Magnetic field is an earth-wide vector field. Magnetic field intensity vectors vary by latitude and longitude in geo space. We can determine the attitude of a satellite by precisely determining the position of every point in geo space, then consulting a magnetic table to get the magnetic field vector in the terrestrial coordinate system, which can be used to filter the magnetic field vector detected by the magnetometer in the satellite coordinate system.

The attitude angle of the three-axis stabilised satellite system related to the satellite orbit coordinate system is contained in T . When the magnetometer's measuring axis is set along the satellite's main B_b is the genuine satellite magnetic field value, while v is the magnetometer's measurement error. The attitude angle of the three-axis stabilised satellite system related to the satellite orbit coordinate system is contained in T . When the magnetometer's measuring axis is set along the satellite's main

3.6 Model of Altitude Measurement

After the detection of the initial altitude, a satellite starts scientific detections during its in-orbit stage. In this mode the accuracy of the satellite attitude detection is required to be 0.05° , and the angular rate should be smaller than $0.2^\circ/s$. Angular rate is a standard used to judge whether a satellite is working normally, and we usually think it not when its angular rate is over $0.2^\circ/s$.

4. Implementation

The MPU-9250 is a System in Package (SiP) that combines two chips: the MPU-6500, which contains a 3-axis gyroscope, a 3-axis accelerometer, and an on-board Digital Motion Processor (DMP) capable of processing complex Motion Fusion algorithms; and the AK8963, the market leading 3-axis digital compass. The sensor can be controlled via the I2C interface. The wiring between the sensor and the Arduino is as following figure.4

4.1 Circuit Diagram and Pin connections:

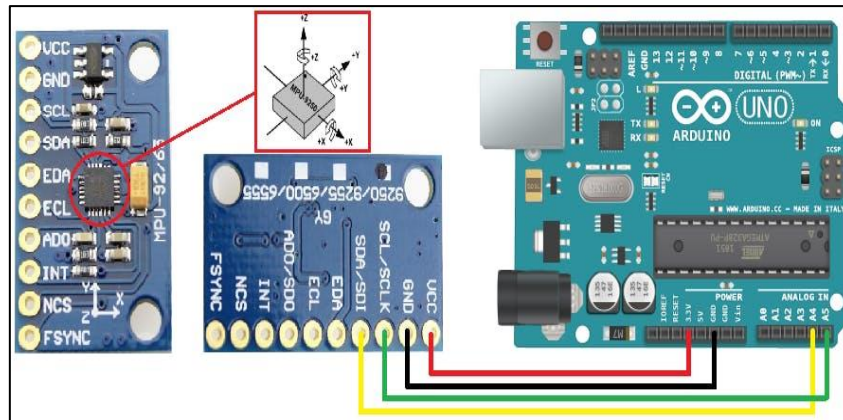


Fig. 4 Interfacing gyro sensors with Arduino development board

A gyroscope utilises the Coriolis Effect to calculate angular velocity. When an external angular rate is applied, as shown by the green arrow, the mass will be displaced perpendicularly in the direction of the force, which is shown by the blue red arrow. So, just like an accelerometer, this displacement will create a change in capacitance, which can be detected, processed, and then equated to an individual angular rate.

When an electric current is passed over a conductive plate like the one seen in the picture, electrons go unimpeded from one side to the other. A magnetic field brought close to the plate would disrupt the straight flow, causing the electrons to be deflected to one side and the positive poles to the other. Put a voltmeter across the gap between the two sides to measure the voltage produced by the magnetic field.

This is what the gyroscope's microscopic structure looks like, roughly speaking. A mass that is in motion all the time, also known as oscillating, and when an external angular rate is applied, a flexible section of the mass will move and cause a perpendicular displacement.

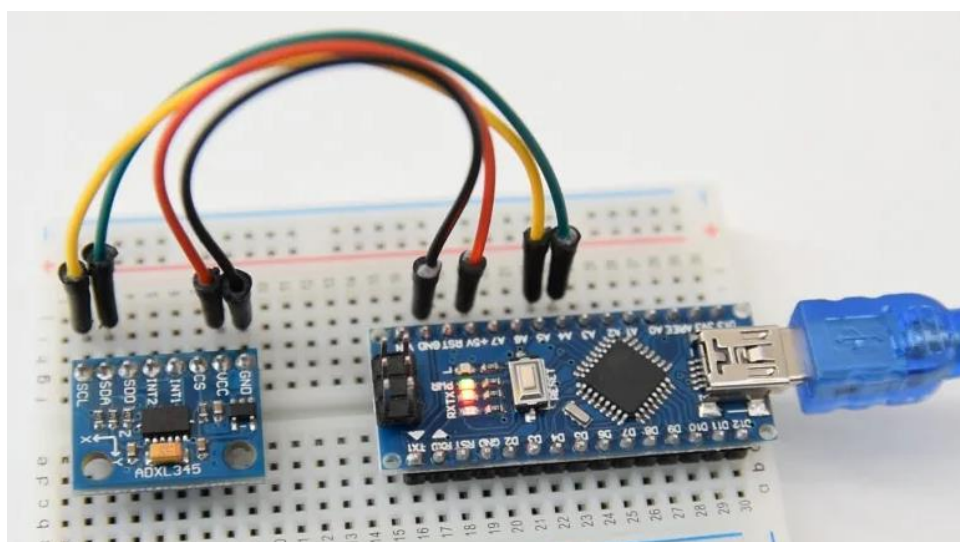


Fig. 5 Accelerometer interface with Arduino

Acceleration is expressed in terms of metres per second squared (m/s^2). However, acceleration readings from sensors are often presented in gravitational units (g). The

gravitational force of Earth is measured in "g," where one "g" is equal to 9.8 metres per second squared. Therefore, if we lay an accelerometer flat with its Z-axis pointing upwards, against the force of gravity, the Z-axis output of the sensor will be 1g as shown figure 5. However, as gravity acts in a direction perpendicular to the X and Y axes, their outputs will be null.

Inverted, the Z-axis output is -1 g. This means the sensor's gravity-related outputs can range from -1g to +1g. We can calculate the sensor's angle using this data and trigonometry.

4.2 Results

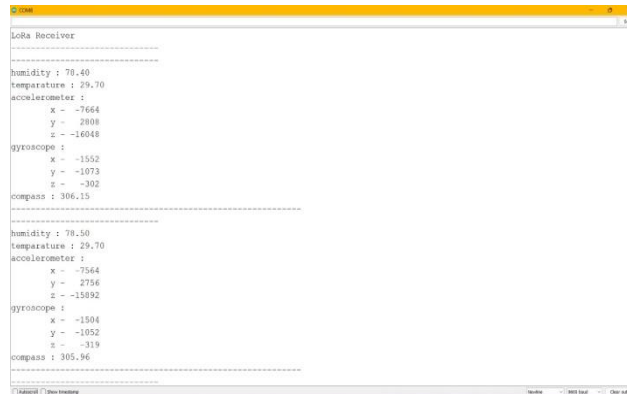


Fig. 6: Obtained sensor results

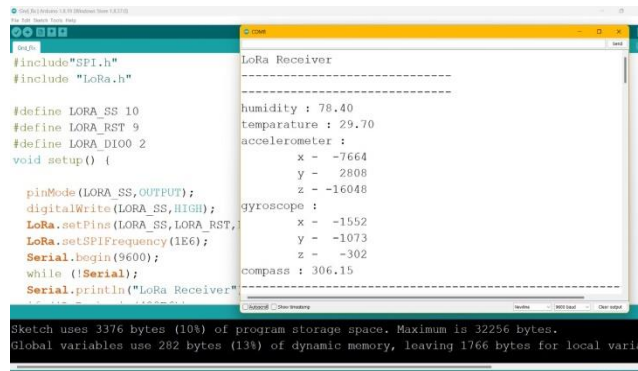


Fig. 7 Screenshot Image with Programming and Sensor results

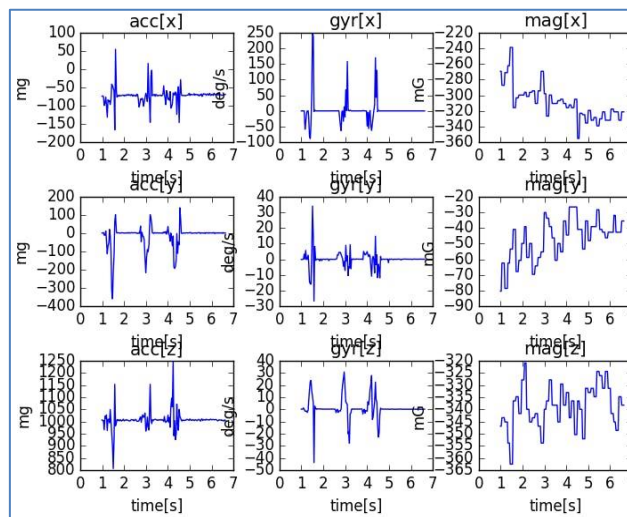


Fig. 8 Results in waveforms

Conclusion

This paper designs an integrated attitude determination method for the sensor under sun-oriented mode and proceeds with related stimulation in response to the requirements of three-axis stabilisation on nano-satellite and that of attitude determination accuracy on sun-oriented mode of in-orbit nano-satellites. These requirements are in response to the requirements of three-axis stabilisation on nano-satellite and that of attitude determination accuracy on sun-oriented mode of in-orbit nano-satellites with short-range communication methods will continue handle most Internet of Things (IoT) connections in the future, although low power wide area networks (LPWAN) have shown remarkable competitive power. To overcome terrestrial network coverage limitations, IoT combined with satellite networks can provide global, seamless services. Due to its low propagation latency, moderate propagation loss, and worldwide coverage, a low earth orbit (LEO) satellite is a strong choice for IoT services.

References

- Singh AP, Nigam S, Gupta NK (2007) A study of next generation wireless network 6G. *Int.J Innovative Res Computer Commun Eng* 4(1):871–874
- Holma H, Toskala A, Reunanen J (2016) *LTE small cell optimization: 3GPP evolution to Release 13*. Wiley, New Jersey
- Al-Dulaimi A, Wang X, Chih-Lin I (2018) *5G Networks: fundamental requirements, enabling technologies, and operations management*. Wiley, New Jersey
- Mourad A, Yang R, Lehne PH, De La Oliva A (2020) A baseline roadmap for advanced wireless research beyond 5G. *Electronics* 9(2):351
- Viswanathan H, Mogensen PE (2020) Communications in the 6G era. *IEEE Access* 8:57063–57074
- Gozalvez J (2015) Tentative 3GPP timeline for 5G [mobile radio]. *IEEE Vehicular Technol Magazine* 10(3):12–18 (ITU), I.T.U.: International telecommunications union focus group on technologies for network. 2030. [https://www.itu.int/en/IUT-T/focus groups/net2030/](https://www.itu.int/en/IUT-T/focus%20groups/net2030/)
- Pouttu A (2018) 6Genesis-taking the first steps towards 6G. In: *Proc. IEEE Conf. Standards Communications and Networking*
- D.Narendharsingh, Anusha Reddy and Dr.Sharma Sudhir Kumar, “IoT based wireless attendance management system using finger print recognition”, *International Journal of Latest Trends in Engineering and Technology* Vol.(7)Issue(3), pp. 410-418.
- D.Narendar Singh , G.Shivani , M. Neelanjana , T. Pragna Rebecca , B. Shanthi Priya. 2020. “PRECISION AGRICULTURE USING LORA”. *International Journal of Modern Agriculture* 9 (4):266 -74. <http://www.modern-journals.com/index.php/ijma/article/view/212>
- B. Pavitra, D.Narendhar Singh “IOT and Data Research In Industrial Power Management”*International Journal of Engineering and Advanced Technology (IJEAT)* August 2019 , Volume-8 Issue-6S, ISSN: 2249 – 8958